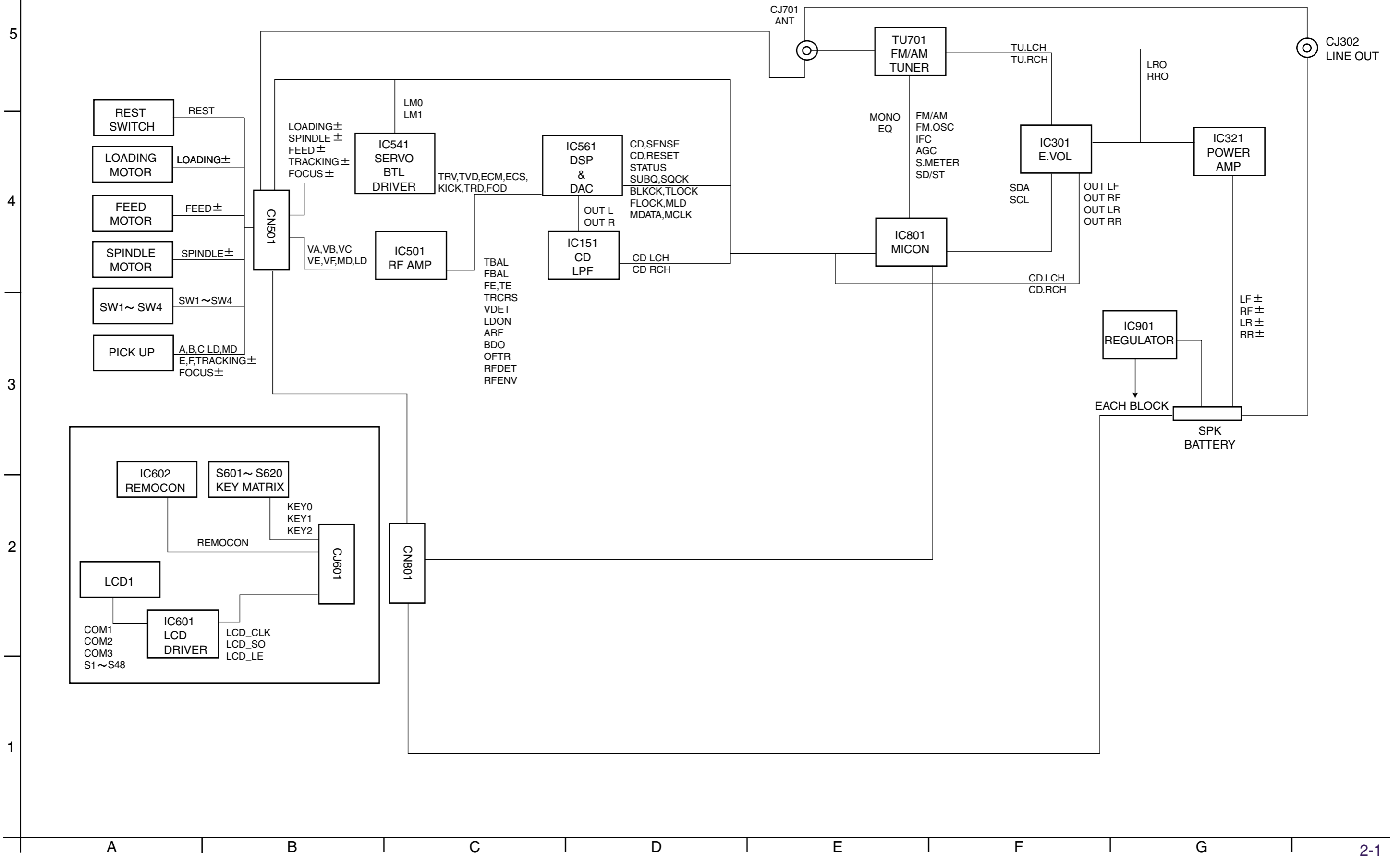


# Block diagram

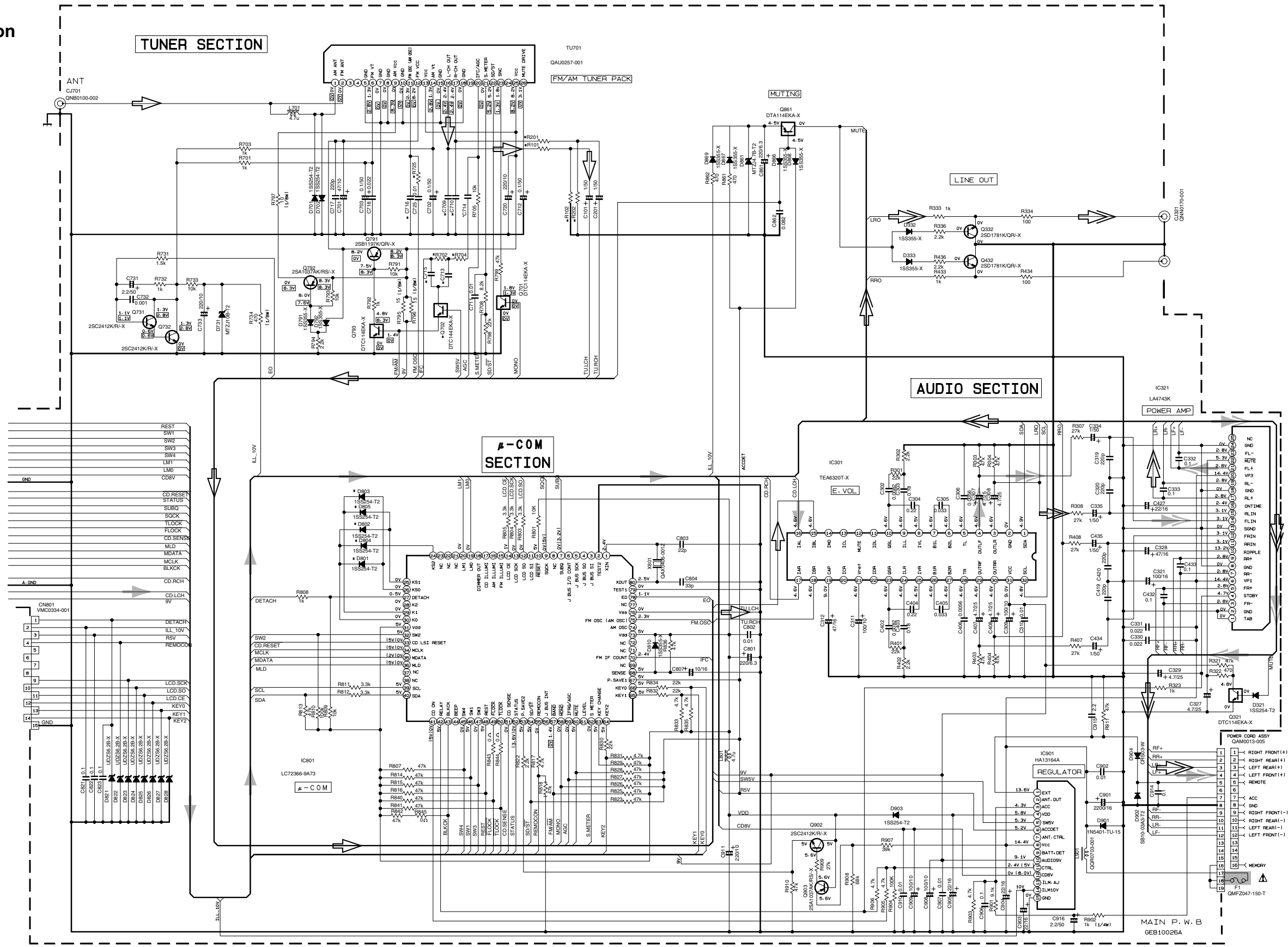


# Standard schematic diagrams

KD-S6250/KD-S580

KD-S6250/KD-S580

## Main amp section



REMARK 1

C709-C710	0.033
R101-R104	10k
D801	1N4148
D802	1N4148
D803-D805	1N4148
D806	1N4148
D807	1N4148
D808	1N4148
D809	1N4148
D810	1N4148
D811	1N4148
D812	1N4148
D813	1N4148
D814	1N4148
D815	1N4148
D816	1N4148
D817	1N4148
D818	1N4148
D819	1N4148
D820	1N4148
D821	1N4148
D822	1N4148
D823	1N4148
D824	1N4148
D825	1N4148
D826	1N4148
D827	1N4148
D828	1N4148
D829	1N4148
D830	1N4148
D831	1N4148
D832	1N4148
D833	1N4148
D834	1N4148
D835	1N4148
D836	1N4148
D837	1N4148
D838	1N4148
D839	1N4148
D840	1N4148
D841	1N4148
D842	1N4148
D843	1N4148
D844	1N4148
D845	1N4148
D846	1N4148
D847	1N4148
D848	1N4148
D849	1N4148
D850	1N4148
D851	1N4148
D852	1N4148
D853	1N4148
D854	1N4148
D855	1N4148
D856	1N4148
D857	1N4148
D858	1N4148
D859	1N4148
D860	1N4148
D861	1N4148
D862	1N4148
D863	1N4148
D864	1N4148
D865	1N4148
D866	1N4148
D867	1N4148
D868	1N4148
D869	1N4148
D870	1N4148
D871	1N4148
D872	1N4148
D873	1N4148
D874	1N4148
D875	1N4148
D876	1N4148
D877	1N4148
D878	1N4148
D879	1N4148
D880	1N4148
D881	1N4148
D882	1N4148
D883	1N4148
D884	1N4148
D885	1N4148
D886	1N4148
D887	1N4148
D888	1N4148
D889	1N4148
D890	1N4148
D891	1N4148
D892	1N4148
D893	1N4148
D894	1N4148
D895	1N4148
D896	1N4148
D897	1N4148
D898	1N4148
D899	1N4148
D900	1N4148
D901	1N4148
D902	1N4148
D903	1N4148
D904	1N4148
D905	1N4148
D906	1N4148
D907	1N4148
D908	1N4148
D909	1N4148
D910	1N4148
D911	1N4148
D912	1N4148
D913	1N4148
D914	1N4148
D915	1N4148
D916	1N4148
D917	1N4148
D918	1N4148
D919	1N4148
D920	1N4148
D921	1N4148
D922	1N4148
D923	1N4148
D924	1N4148
D925	1N4148
D926	1N4148
D927	1N4148
D928	1N4148
D929	1N4148
D930	1N4148
D931	1N4148
D932	1N4148
D933	1N4148
D934	1N4148
D935	1N4148
D936	1N4148
D937	1N4148
D938	1N4148
D939	1N4148
D940	1N4148
D941	1N4148
D942	1N4148
D943	1N4148
D944	1N4148
D945	1N4148
D946	1N4148
D947	1N4148
D948	1N4148
D949	1N4148
D950	1N4148
D951	1N4148
D952	1N4148
D953	1N4148
D954	1N4148
D955	1N4148
D956	1N4148
D957	1N4148
D958	1N4148
D959	1N4148
D960	1N4148
D961	1N4148
D962	1N4148
D963	1N4148
D964	1N4148
D965	1N4148
D966	1N4148
D967	1N4148
D968	1N4148
D969	1N4148
D970	1N4148
D971	1N4148
D972	1N4148
D973	1N4148
D974	1N4148
D975	1N4148
D976	1N4148
D977	1N4148
D978	1N4148
D979	1N4148
D980	1N4148
D981	1N4148
D982	1N4148
D983	1N4148
D984	1N4148
D985	1N4148
D986	1N4148
D987	1N4148
D988	1N4148
D989	1N4148
D990	1N4148
D991	1N4148
D992	1N4148
D993	1N4148
D994	1N4148
D995	1N4148
D996	1N4148
D997	1N4148
D998	1N4148
D999	1N4148
D1000	1N4148

NOTES:  
 1. VOLTAGE ARE DC-MEASURED WITH A DIGITAL VOLTMETER WITHOUT INPUT SIGNAL. CONDITION: —FM ( ) AM MODE, ( ) CD MODE!  
 2. UNLESS OTHERWISE SPECIFIED:  
 ALL RESISTOR ARE 1/8W 5% TOLERANCE GLAZE RESISTOR.  
 ALL CAPACITOR ARE 50V OR 25V CERAMIC CAPACITOR.  
 ALL RESISTANCE VALUES ARE IN OHM  
 ALL CAPACITANCE VALUES ARE IN uF (p=PF).  
 ALL E-CAPACITORS ARE SHOWN IN THE FORM OF CAPACITANCE(uF)/RATED VOLTAGE(V)

	DTC114EKA-X
	DTA114EKA-X

Parts are safety assurance parts. When replacing those parts make sure to use the specified one.

- Tuner Signal
- CD signal
- Front signal
- Rear signal

5  
4  
3  
2  
1

A B C 2-2 D E F G H

CD servo & control section

CD SECTION

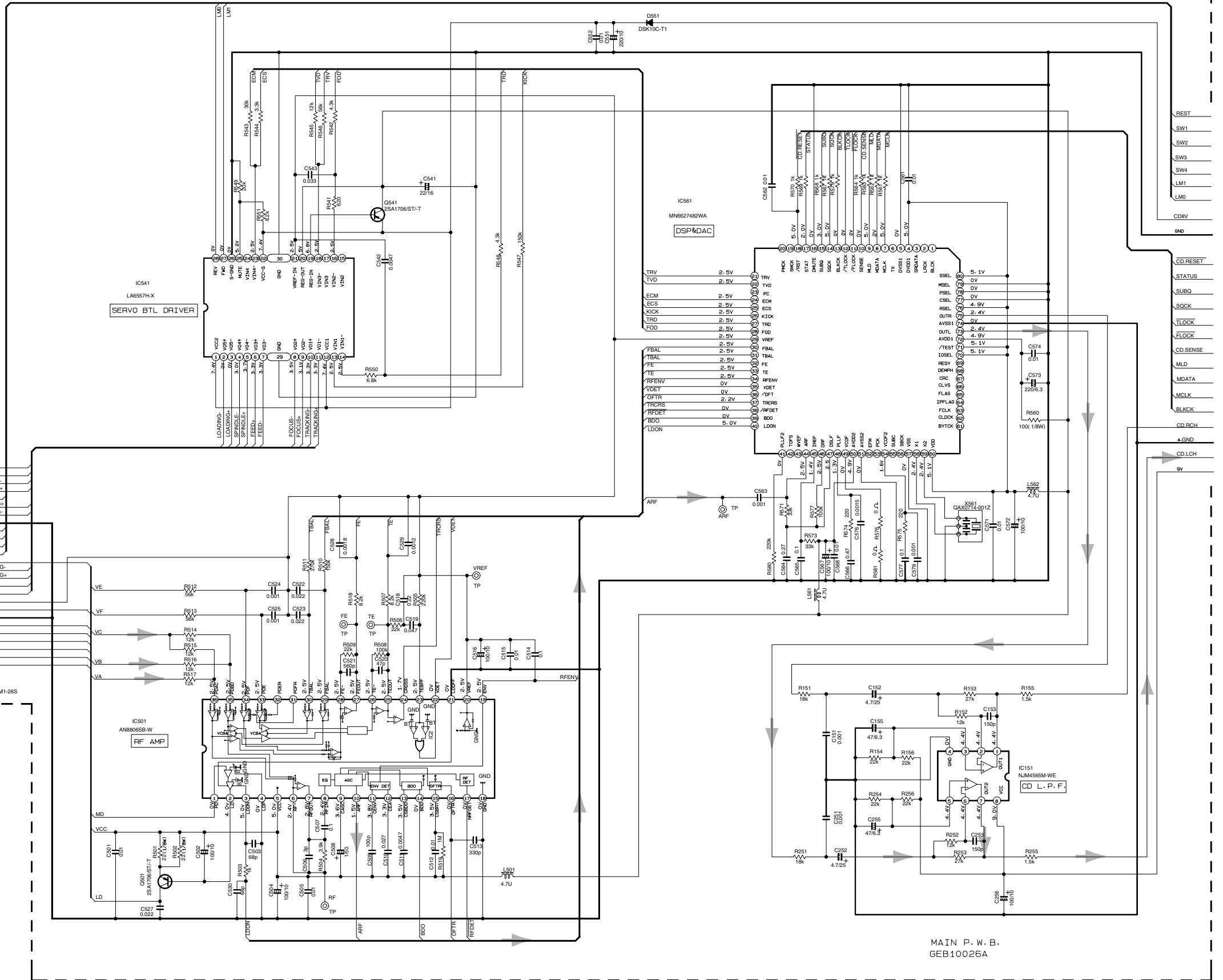
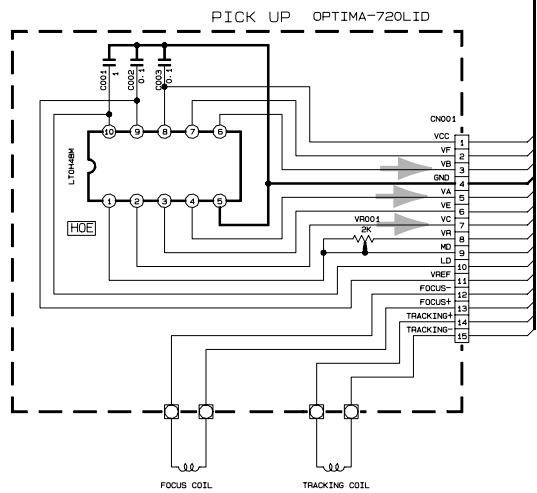
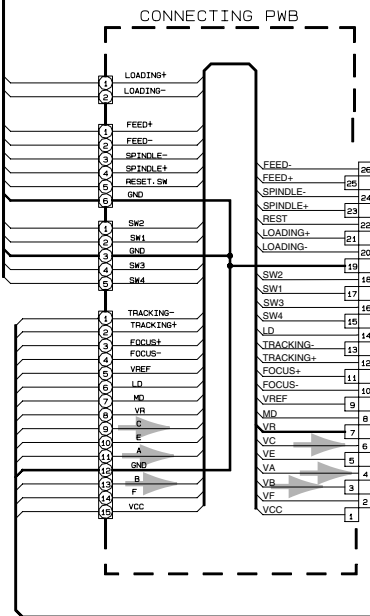
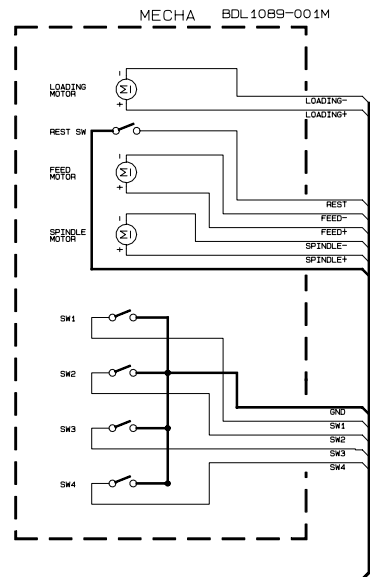
5

4

3

2

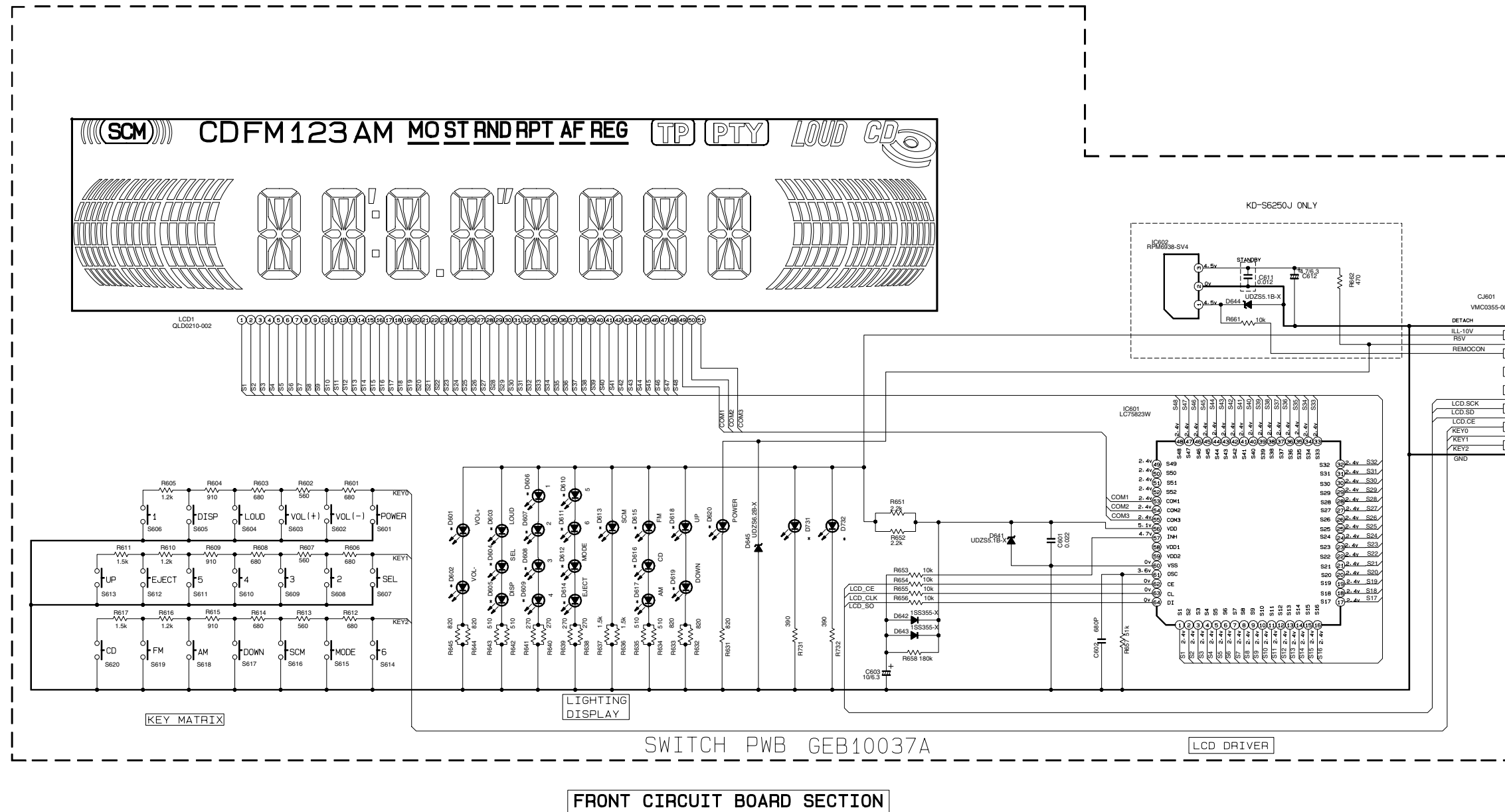
1



NOTE : 1. VOLTAGE ARE DC-MEASURED WITH DIGITAL VOLTMETER WITHOUT INPUT SIGNAL CONDITION  
2. UNLESS OTHERWISE SPECIFIED:  
ALL RESISTORS ARE 1/16W 25K METAL GLAZE RESISTOR.  
ALL CAPACITORS ARE 50V OR 25V CERAMIC CAPACITOR.  
ALL RESISTANCE VALUES ARE IN OHM.  
ALL CAPACITANCE VALUES ARE IN UF (µF).  
ALL CAPACITORS ARE SHOWN IN THE FORM OF CAPACITANCE/(RATED VOLTAGE)V

→ CD signal

■ LCD & key control section



REMARK:

	KD-S580J KD-S6250J
D731 D732	NEPW310BS/BRS/-
D601 - D619	SML-310VT/UK/-X
D620	SML-310LT/MV/-X
D613	LAL3026B1/1-3/X
S601 - S620	NEW0066-001X

- NOTES
1. VOLTAGES ARE DC-MEASURED WITH A DIGITAL VOLT METER WITHOUT INPUT SIGNAL.
  2. UNLESS OTHERWISE SPECIFIED:  
 ALL RESISTORS ARE 1/16W ±5% METAL GLAZE RESISTOR.  
 ALL CAPACITORS ARE 50V OR 25V CERAMIC CAPACITOR.  
 ALL RESISTANCE VALUES ARE IN OHM.  
 ALL CAPACITANCE VALUES ARE IN UF(±PPF).  
 ALL E. CAPACITORS ARE SHOWN IN THE FORM OF CAPACITANCE (UF/RATED VOLTAGE(V)).

5  
4  
3  
2  
1

A B C 2-4 D E F G H

# Printed circuit board

5

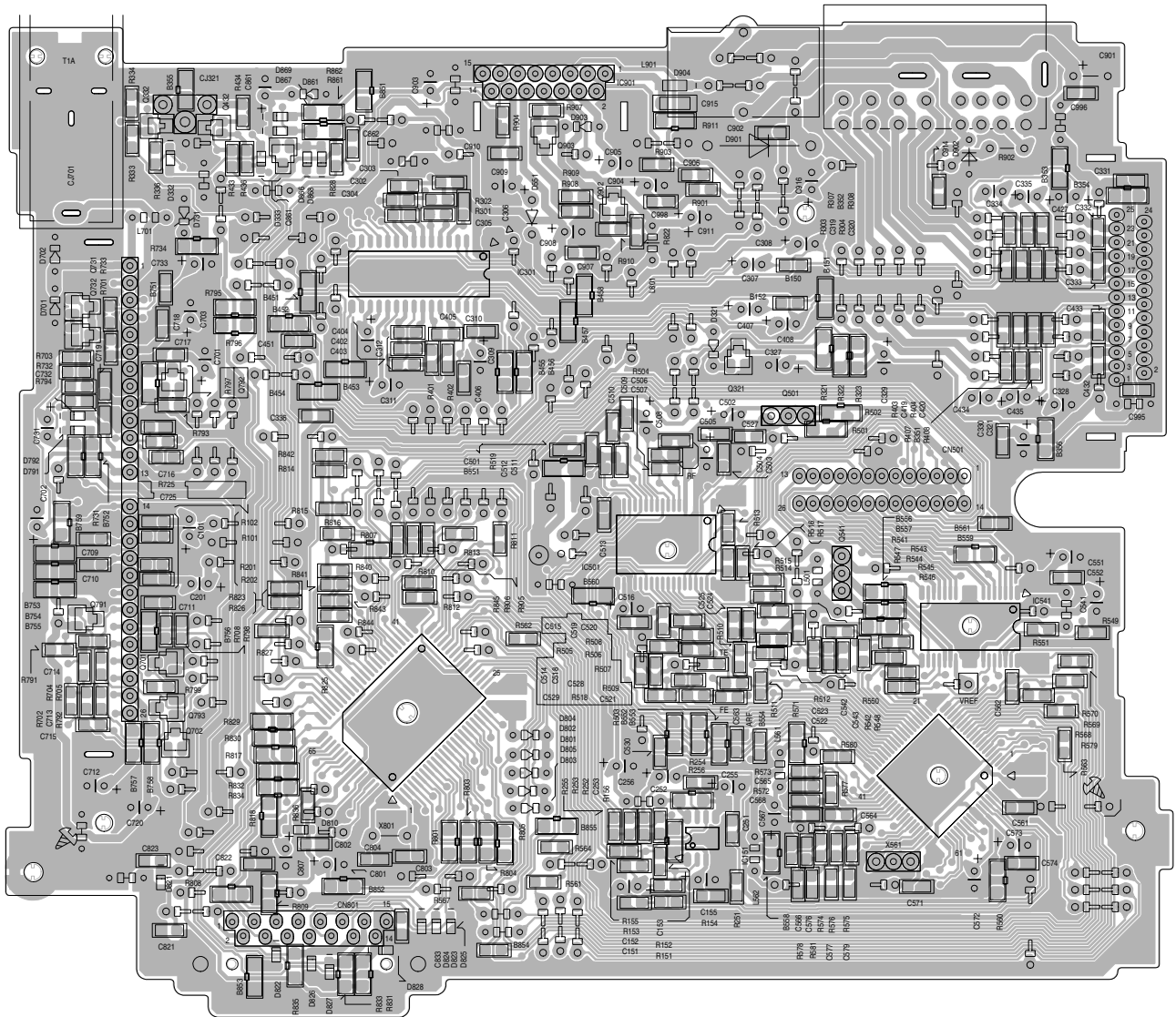
## ■ Main board

4

3

2

1



A

B

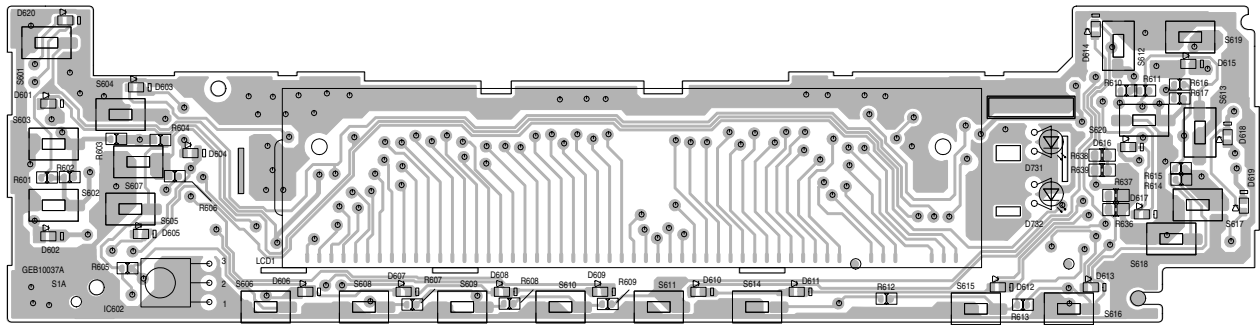
C

2-5

5

■ Front board (Forward side)

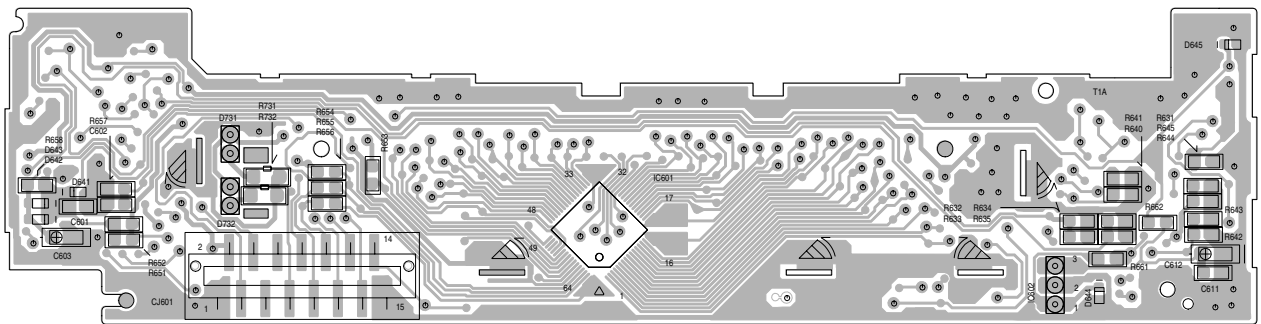
4



3

■ Front board (Reverse side)

2



1

2-6

A

B

C

**< MEMO >**